

POWER MOBILITY WHEELCHAIR

CEO

P25



- Rear & front independent suspension system enhances the stability
- Provides smaller turning radius, which is suitable for outdoor & indoor use
- Aero aluminum alloy frame provides light weight as well as high strength
- Provides seat-to-floor height as low as 48 cm, height of seat cushion included, with easy access for disable persons
- Equipped with a tilt-in-space seating system and an elevating power system
- Equipped with an optional power elevating leg-rest
- Advanced battery capacity provides longer travelling range
- Easy to disassemble and maintain



Head Rest



Adjustable Back-rest



Height Adjustable Elevating Legrest



Back View



Suspension



Width Adjustable Elevating Legrest

Specification	Weight Capacity	Dimension LxW	Weight W/ Battery	Motor Type	Max Speed	Battery	Battery Range	Drive Wheel	Charger Type	Turning Radius
P25	160kgs (350lbs)	830mm x 650mm	135kgs (300lbs)	450W 4-Pole Motor x 2pcs	10KPH (6.25MPH)	12V 80Ah x 2pcs	50km (31miles)	360mm x 75mm (14" x 3")	8 Amp Off Board	840mm (33")

Heartway reserves the rights to amend or change the specifications if required and necessary. There may not be further notification regarding the amendments or changes.

POWER MOBILITY WHEELCHAIR

CEO CL P25CL

Presented in a stylish design, the P25CL has true rear-wheel drive performance with 14" drive wheels.



KNIGHT CL P26CL

Presented in a stylish design, the P26 has true rear-wheel drive performance with 16" drive wheels.



CEO RL P25RL

Provides enhanced performance, superior ride quality, and an elegantly simple design.



KNIGHT RL P26RL

Full lighting package that includes headlights, back light, and turning signals.



CEO RTL P25RTL

P25RTL provides smaller turning radius suitable for outdoor & indoor use.



KNIGHT RTL P26RTL

45 degree of tilting function with 400 lbs maximum weight capacity.



Specification	Weight Capacity	Dimension LxW	Weight W/ Battery	Motor Type	Max Speed	Battery	Battery Range	Drive Wheel	Charger Type	Turning Radius
P25CL	160kgs (350lbs)	830mm x 650mm	97kgs (213lbs)	450W 4-Pole Motor x 2pcs	10KPH (6.25MPH)	12V 80Ah x 2pcs	50km (31miles)	360mm x 75mm (14" x 3")	8 Amp Off Board	840mm (33")
P25RL	160kgs (350lbs)	830mm x 650mm	106kgs (233lbs)	450W 4-Pole Motor x 2pcs	10KPH (6.25MPH)	12V 80Ah x 2pcs	50km (31miles)	360mm x 75mm (14" x 3")	8 Amp Off Board	840mm (33")
P25RTL	160kgs (350lbs)	830mm x 650mm	125kgs (275lbs)	450W 4-Pole Motor x 2pcs	10KPH (6.25MPH)	12V 80Ah x 2pcs	50km (31miles)	360mm x 75mm (14" x 3")	8 Amp Off Board	840mm (33")

Heartway reserves the rights to amend or change the specifications if required and necessary. There may not be further notification regarding the amendments or changes.

Specification	Weight Capacity	Dimension LxW	Weight W/ Battery	Motor Type	Max Speed	Battery	Battery Range	Drive Wheel	Charger Type	Turning Radius
P26CL	185kgs (400lbs)	930mm x 600mm	120kgs (264lbs)	700W 4-Pole Motor x 2pcs	15KPH (9.4MPH)	12V 80Ah x 2pcs	50km (31miles)	410mm x 90mm (16" x 3.5")	8 Amp Off Board	850mm (33.375")
P26RL	185kgs (400lbs)	930mm x 600mm	145kgs (319lbs)	700W 4-Pole Motor x 2pcs	15KPH (9.4MPH)	12V 80Ah x 2pcs	50km (31miles)	410mm x 90mm (16" x 3.5")	8 Amp Off Board	850mm (33.375")
P26RTL	185kgs (400lbs)	930mm x 600mm	165kgs (363lbs)	700W 4-Pole Motor x 2pcs	15KPH (9.4MPH)	12V 80Ah x 2pcs	50km (31miles)	410mm x 90mm (16" x 3.5")	8 Amp Off Board	850mm (33.375")

Heartway reserves the rights to amend or change the specifications if required and necessary. There may not be further notification regarding the amendments or changes.

POWER MOBILITY WHEELCHAIR



FLYER P25J



- P25J provides excellent maneuverability and maximum independence
- With its compact design the P25J is highly maneuverable and user-friendly, which is an absolute must for indoor/outdoor use



Head Rest



R-net Controller



Suspension



Back View

Specification	Weight Capacity	Dimension LxW	Weight W/ Battery	Motor Type	Max Speed	Battery	Battery Range	Drive Wheel	Charger Type	Turning Radius
P25J	80kgs (176lbs)	920mm x 620mm	75kgs (165lbs)	250W x 2pcs	9KPH (5.6MPH)	12V 36Ah/50Ah x 2pcs	25km (16miles) / 35km (22miles)	330mm x 75mm (13" x 3")	5 Amp Off Board	750mm (29.5")



FLYER C P25JC

- P25JC provides a smooth ride over transitions and smaller turning radius
- Equipped with comfortable captain seat



FLYER R P25JR

- Powerful motors and high torque ensure a smooth ride, even at low speed
- Provides smaller turning radius suitable for outdoor & indoor use



FLYER RT P25JRT

- Equipped with a tilt-in-space seating system
- Powerful and reliable motors allow for a top speed of 9 KPH



Specification	Weight Capacity	Dimension LxW	Weight W/ Battery	Motor Type	Max Speed	Battery	Battery Range	Drive Wheel	Charger Type	Turning Radius
P25JC	80kgs (176lbs)	920mm x 620mm	64kgs (141lbs)	250W x 2pcs	9KPH (5.6MPH)	12V 36Ah/50Ah x 2pcs	25km (16miles) / 35km (22miles)	330mm x 75mm (13" x 3")	5 Amp Off Board	750mm (29.5")
P25JR	80kgs (176lbs)	920mm x 620mm	65kgs (143lbs)	250W x 2pcs	9KPH (5.6MPH)	12V 36Ah/50Ah x 2pcs	25km (16miles) / 35km (22miles)	330mm x 75mm (13" x 3")	5 Amp Off Board	750mm (29.5")
P25JRT	80kgs (176lbs)	920mm x 620mm	70kgs (154lbs)	250W x 2pcs	9KPH (5.6MPH)	12V 36Ah/50Ah x 2pcs	25km (16miles) / 35km (22miles)	330mm x 75mm (13" x 3")	5 Amp Off Board	750mm (29.5")

Heartway reserves the rights to amend or change the specifications if required and necessary. There may not be further notification regarding the amendments or changes.

POWER MOBILITY WHEELCHAIR



MAXX P3DXC

- P3DX provides compact size for extremely tight overall turning radius
- Stylish and compact mid-wheel drive model with 14" drive wheels
- Extremely low center of gravity offers a lower seat height
- Deluxe captain seat with adjustable backrest
- 6 wheels on the ground enhances the stability and provides a smooth ride
- Optional elevating leg-rests

MAXX P3DXR



- Rehab seating, perfect for users who need a little more postural support and positioning
- Front & Rear suspension enhances the stability
- Extremely low center of gravity offers a lower seat height

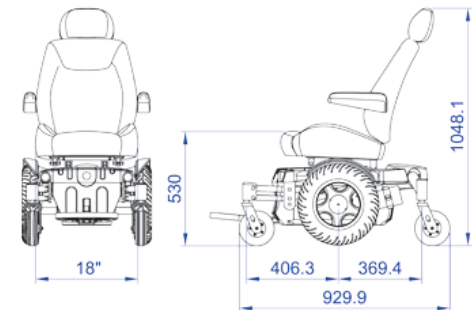
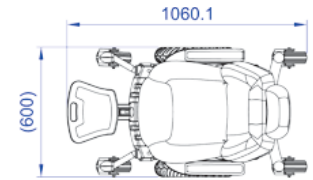


Specification	Weight Capacity	Dimension LxW	Weight W/ Battery	Motor Type	Max Speed	Battery	Battery Range	Drive Wheel	Charger Type	Turning Radius
P3DXC	160kgs (350lbs)	930mm x 600mm	98kgs (216lbs)	500W 4-Pole Motor x 2pcs	10KPH (6.25MPH)	12V 50Ah x 2pcs	30km (20miles)	360mm x 75mm (14" x 3")	5 Amp Off Board	500mm (19.625")
P3DXR	160kgs (350lbs)	930mm x 600mm	107kgs (235lbs)	500W 4-Pole Motor x 2pcs	10KPH (6.25MPH)	12V 50Ah x 2pcs	30km (20miles)	360mm x 75mm (14" x 3")	5 Amp Off Board	500mm (19.625")

MAXX P3DXRT



- Powerful and reliable 4-pole motors (500 W) allow for a top speed of 10 KPH
- Provides smaller turning radius 19.6" suitable for outdoor & indoor use
- Equipped programmable VR2 90Amp for maximum function and precise driver control
- 45 degree of tilt with 350lbs weight capacity



Head Rest



Front View



Swing Joystick Bracket



Drive Wheel

Specification	Weight Capacity	Dimension LxW	Weight W/ Battery	Motor Type	Max Speed	Battery	Battery Range	Drive Wheel	Charger Type	Turning Radius
P3DXRT	160kgs (350lbs)	930mm x 600mm	126kgs (277lbs)	500W 4-Pole Motor x 2pcs	10KPH (6.25MPH)	12V 50Ah x 2pcs	30km (20miles)	360mm x 75mm (14" x 3")	5 Amp Off Board	500mm (19.625")

Heartway reserves the rights to amend or change the specifications if required and necessary. There may not be further notification regarding the amendments or changes.

POWER MOBILITY WHEELCHAIR

SPRING

HW1



An Aluminum-based wheelchair features manually-operated tilting and reclining functions. The tilting and reclining angles can reach as far as 30°. The rear wheels are available in 24" (quick-release ones) and the seat width options are 16", 18", 22".



SPRING J

HW1J

Aluminum hand rim and light-weight aluminum frame with a maximum weight carrying capacity of 100 Kgs.



SPRING C

HW1C



HW1C is the first model in the next generation of HW1 Equipped with smaller drive wheel 12", which is suitable for indoor user. Seat width options are 16", 18", 22".



SPRING JC

HW1JC

Equipped with smaller drive wheel 12", which is suitable for indoor user.



SPRING P

HW1P



An upgraded model of HW1 which features a power pack design. With this power pack that both tilting and reclining functions are made electric, which can be easily operated by a simple controller.



Hand Brake



Height-adjustable Backrest



Height-adjustable Side Panel



Elevating Legrest



Adjustable Headrest



Manual Tilting and Manual Reclining



Power Tilting and Power Reclining



Extendable, Height-adjustable & Detachable Armrest

Specification	Weight Capacity	Dimension LxW	Weight W/ Battery	Motor Type	Max Speed	Battery	Battery Range	Drive Wheel	Charger Type	Turning Radius
HW1	135kgs (300lbs)	1150mm x 700mm	36.6kgs (80lbs)	None	None	None	None	610mm (24")	None	-
HW1C	135kgs (300lbs)	1150mm x 700mm	36.6kgs (80lbs)	None	None	None	None	305mm (12")	None	-
HW1P	135kgs (300lbs)	1150mm x 700mm	58kgs (128lbs)	None	None	12V 1.3Ah x 2pcs	None	610mm (24")	None	-

Heartway reserves the rights to amend or change the specifications if required and necessary. There may not be further notification regarding the amendments or changes.

Specification	Weight Capacity	Dimension LxW	Weight W/ Battery	Motor Type	Max Speed	Battery	Battery Range	Drive Wheel	Charger Type	Turning Radius
HW1J	100kgs (220lbs)	890mm x 585mm	26kgs (57lbs)	None	None	None	None	510mm (20")	None	-
HW1JC	100kgs (220lbs)	890mm x 585mm	26kgs (57lbs)	None	None	None	None	305mm (12")	None	-

Heartway reserves the rights to amend or change the specifications if required and necessary. There may not be further notification regarding the amendments or changes.